

PRODUCT CATEGORY

OIL SEPERATOR

PRODUCT NAME

DISOPAK

APPLICATION

PETROL STATION

CAPACITY

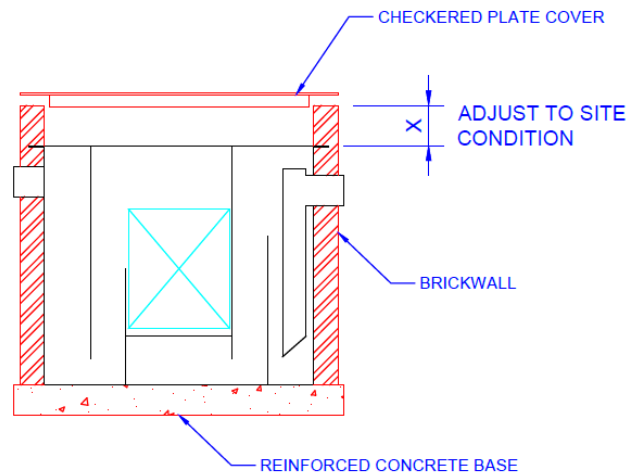
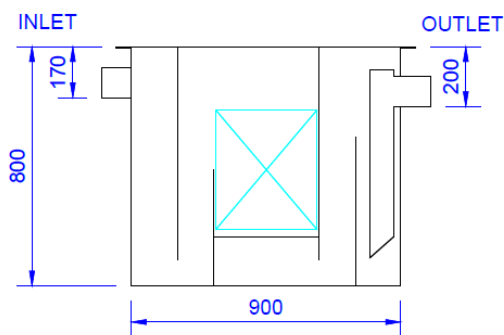
30 L/min Standard B

DESCRIPTION

Siemex oil separators base separation systems that utilize stable media to recover liquid hydrocarbons from oily water streams. Oil and water separate as they travel under laminar flow stream through highly efficient coalescer media providing a high separation area for effective coalescence. Without moving parts, low maintenance and small footprint is guaranteed.

APPLICATION

- Refueling aprons
- Petroleum storage installations
- Petrol service stations
- Car and vehicle workshops
- Car wash / engine wash
- Heavy vehicle & light vehicle wash bays for heavy industries
- Mechanical/Engineering workshops
- Industrial equipment wash-down
- Contaminated storm-water treatment



TYPICAL DIMENSION